

Angler's Verticle Rod Rack Model #RTB-6

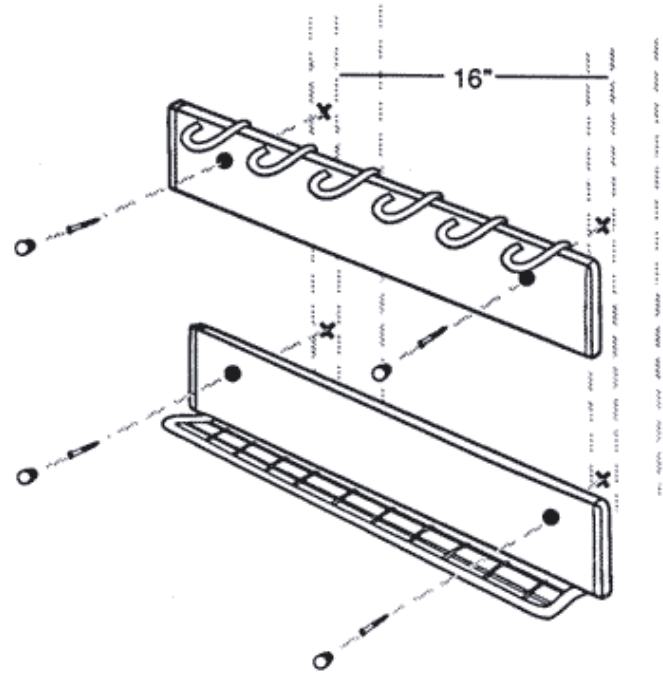
Positioning Your Rack For Installation

Locate one stud. Align either mounting hole on located stud at desired height. Make sure rack is level and mark screw holes on wall through front of channel.

Position the top and bottom of the rack so it can accommodate your shortest rod.

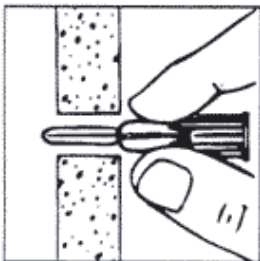
Remove rack from wall and drill 1/8" diameter pilot hole into stud. Install toggle (if necessary) into the other side (see 2a below). Align rack with screw holes and fasten to wall.

After rack has been securely fastened, snap hole plugs into place.

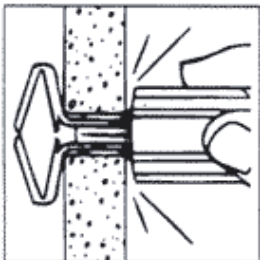


2a Hollow Wall Application

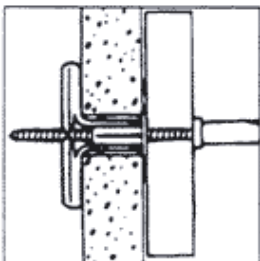
If no studs are located, use both provided mounting toggles.



1 Drill 5/16" hole, squeeze toggle wings flat and push into hole.

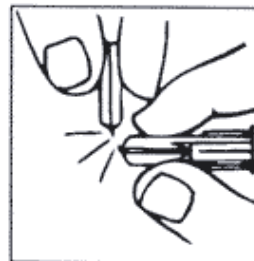


2 Tap flush with wall.

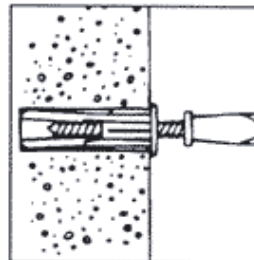


3 Put rack in place, insert screw(s) and tighten to secure.

2b Solid Wall Application



1 Squeeze toggle wings flat. Grasp at both ends and bend at middle joint until tip breaks off.



2 Drill 5/16" hole slightly deeper than remaining toggle length. Insert and tap flush with wall. Put rack in place, insert screws and tighten until secure.