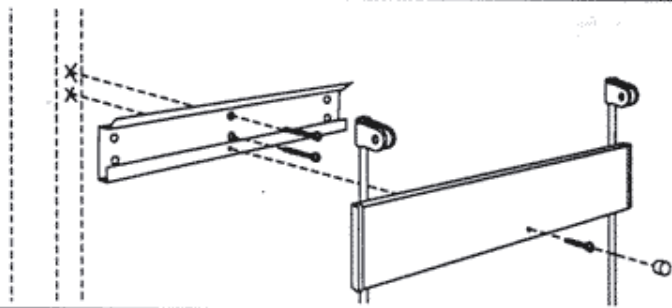


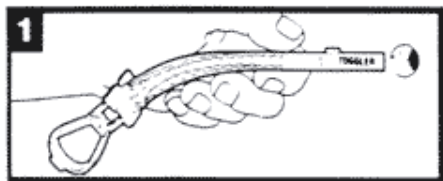
Horizontal Folding Bike Rack Model #HFB-1 & HFB-2

1 Installing Mounting Hardware

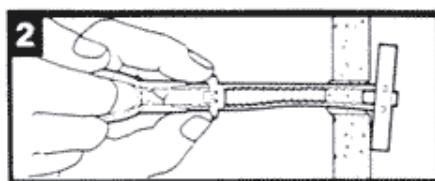
The mounting bracket has been designed to mount into one (1) stud, on center, as shown; or one (1) side into stud and the other side utilizing the provided sheetrock toggle. Make sure to use both wood screws and that bracket is horizontally level.



1b How to use **TOGGLER**® BRAND toggle bolts.



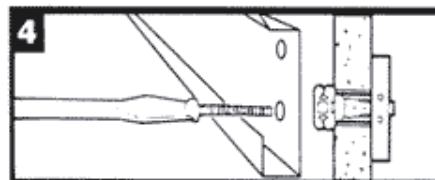
Drill 1/2" hole. Hold metal channel flat alongside plastic straps and slide channel through hole.



With one hand, pull ring straight out (do not pull at angle) so metal channel rests flush behind wall. Then slide plastic cap along straps with other hand until flange of cap is flush with wall.



Place thumb between plastic straps. Push side to side snapping off straps at wall.

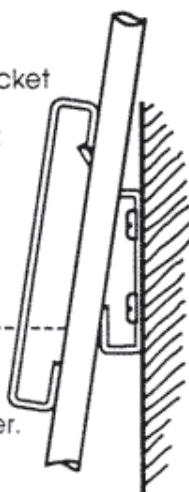


Insert bolt through item to be attached and tighten until flush with wall using enclosed bolts. Minimum clearance behind wall: 1-7/8"

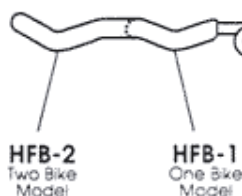
TOGGLER® is a registered trademark of Mechanical Plastics Corp.

2 Installing Rack

Once mounting bracket has been securely fastened, hang rack channel over top of installed bracket aligning channel hole and bracket hole; install small sheet metal screw and tighten firmly. Snap on screw head cover.



3 Helmet Hook(s)



4 Fold Down Feature

